

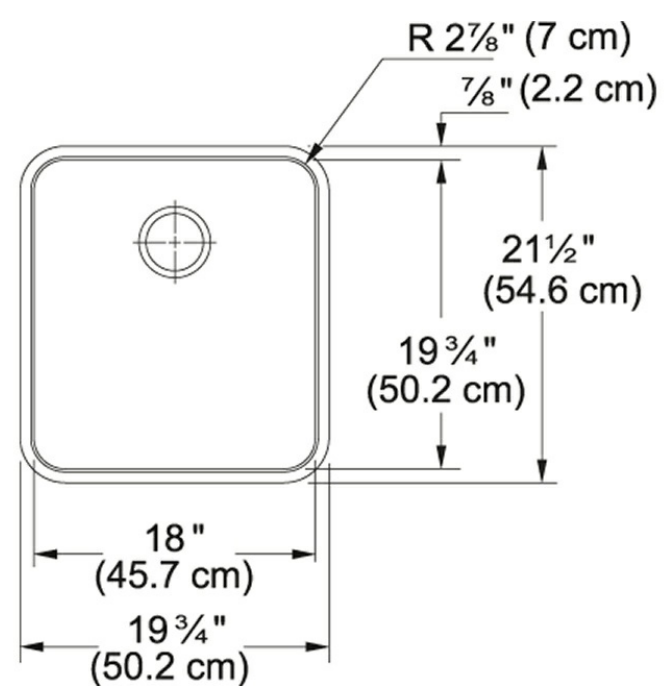
Grande GDX11018 Stainless Steel

The simplicity of shape, the functionality of a flat surface and the convenience of wide corners for easy cleaning creates the perfect sink.

Product Picture



Technical Drawing



Product Dimensions

Length overall	19 3/4"
Width overall	21 1/2"
Length of large bowl	18"
Width of large bowl	19 3/4"
Depth of large bowl	9"
Minimum Cabinet Size	24"
Gauge	18

General Information

Type of Material	18 Gauge Stainless Steel
Number of Bowls	1
Installation Clips	Yes
Cut-Out Template	Yes
Where to buy	Showroom

Article Numbers

FUN#	122.0260.552
US Part Number	GDX11018

